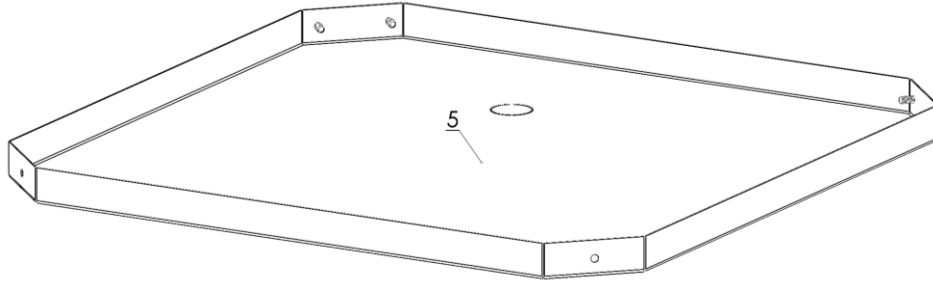


Assembly guide Le Feu Outdoor Table

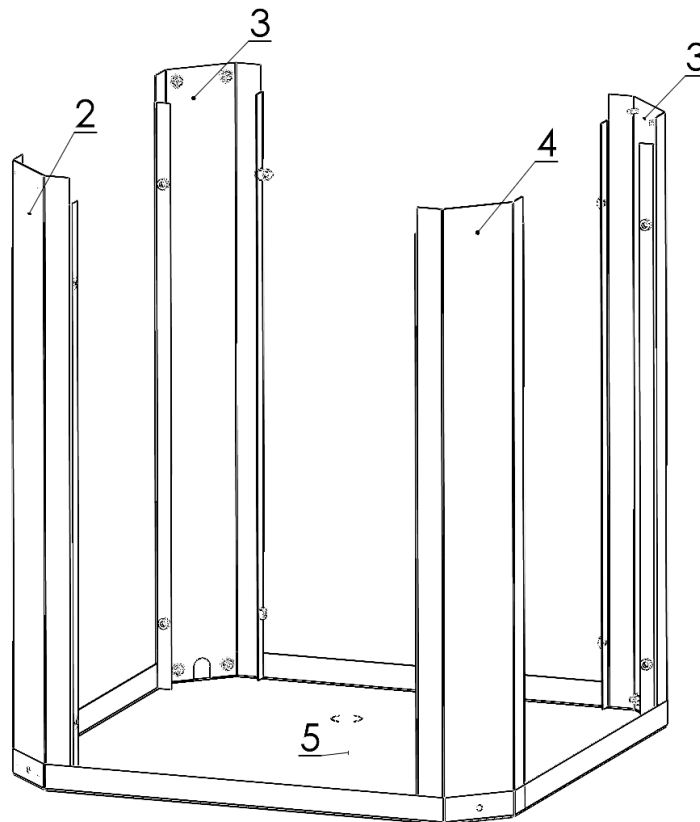


1. Place the topplate (No.5) upside down, place it on a blanket or similar to avoid scratches. Make sure the two holes for the handle is pointing towards you.

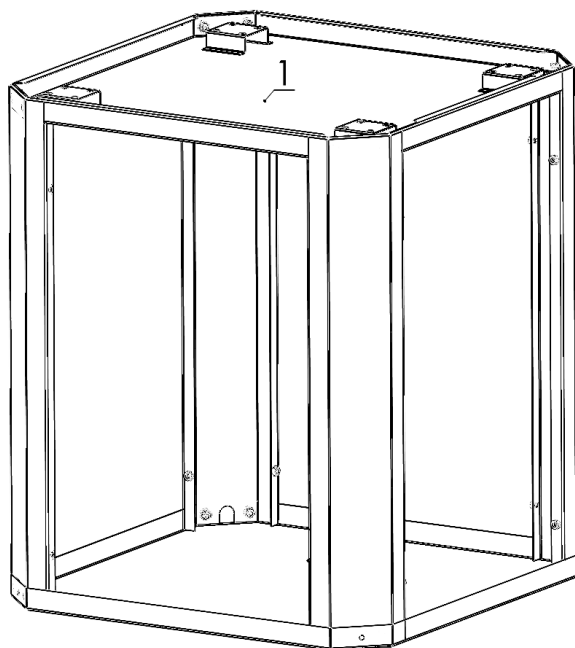


2. Mount the four corners to the top plate.
Corner No. 2 is the one with the magnets.
Corner No. 3 is the two corners with 4 bushes.
Corner No. 4 is the one with only two bushes.

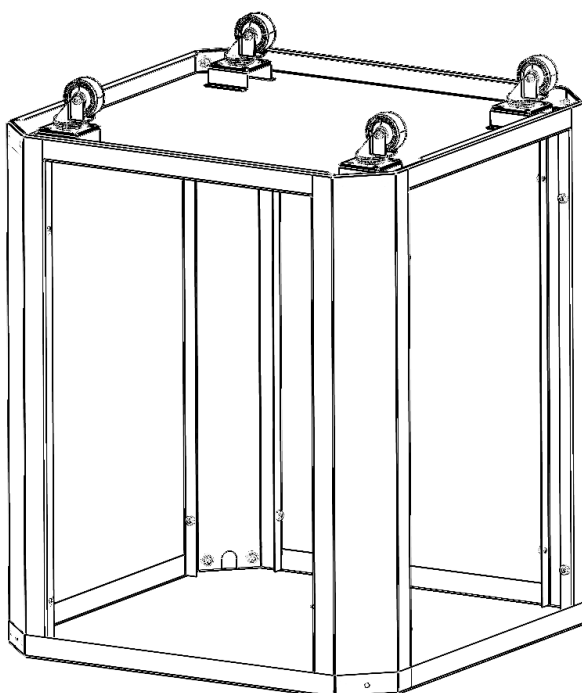
Use 8 pieces M6 flange nuts to fasten the corners to the top plate.



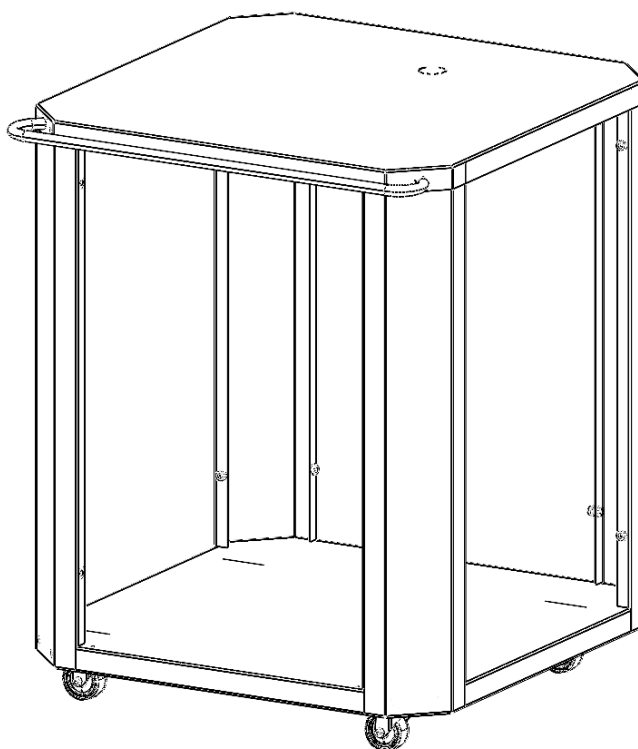
3. Mount bottom plate (No. 1) use 8 pieces M6 flange nuts to fasten the bottom plate to the corners. Make sure that the two small $\varnothing 5$ holes for the door is pointing towards you.



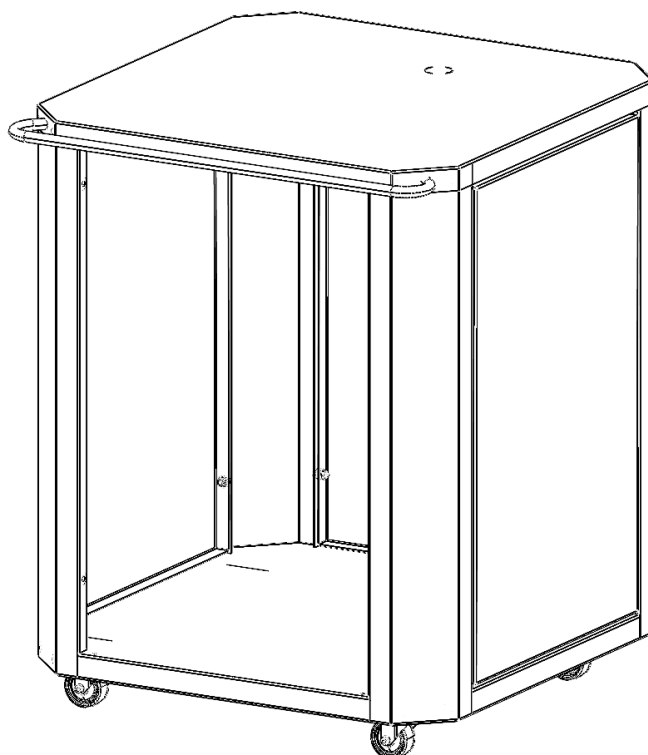
4. Mount the four wheels to the brackets on the bottom plate, the two wheels with brakes in the front. Use 16 pieces M6x12 bolts and 16 pieces M6 flange nuts.



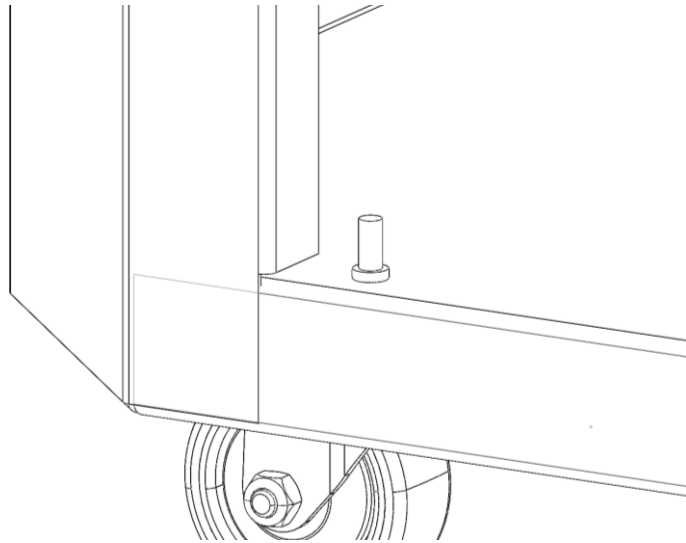
5. Turn the table around so it stands on the wheels. Mount the handle in the two holes in the top plate. Use 2 pieces M8x10 screws (packed together with the handle)



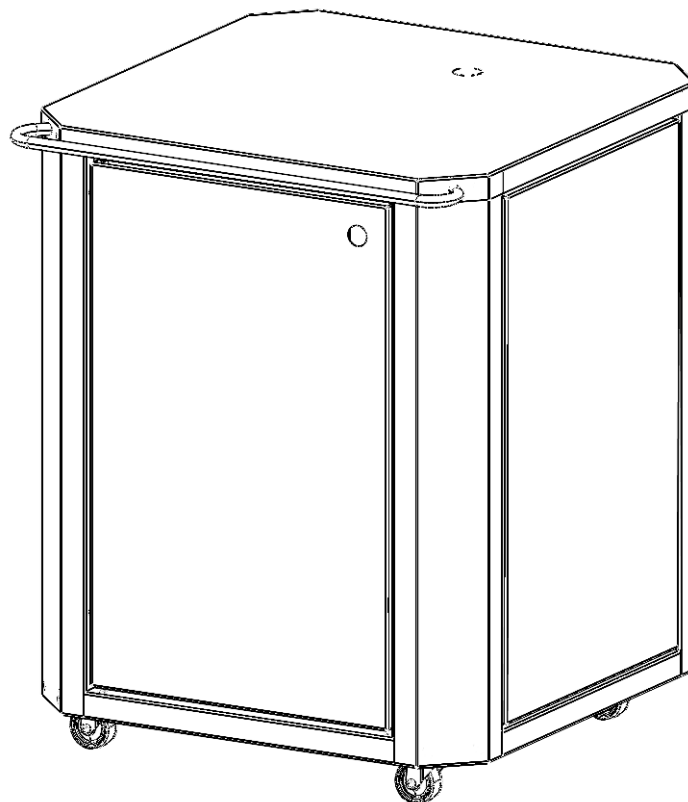
6. Mount the two side plates and the back plate. (All three plates are identically) Use 12 pieces M6x16 and 12 pieces M6 flange nuts.



- 7. Mount the small pin in the small hole in the bottom plate (left side)**
Put the small rubber washer on the pin, this will avoid sound when opening and closing the door.



- 8. Mount the door on the pin in the bottom plate, push down the spring in the top and fix it in the hole in the top plate using your finger.**



9. If you want the hose to go down in the table, remove the brick in the top plate and mount the big rubber ring in the top plate.

